



MANUFACTURING COMPONENTS FOR
CRANES AND LIFTING EQUIPMENT

COSTRUZIONE COMPONENTI
PER APPARECCHI DI SOLLEVAMENTO



Reg. No. 9940
UNI EN ISO 9001:2008
BS OHSAS 18001:2007

PIZZAMIGLIO SRL

Sede legale, amministrativa e attività produttive:
Registered office, head office and operating base:

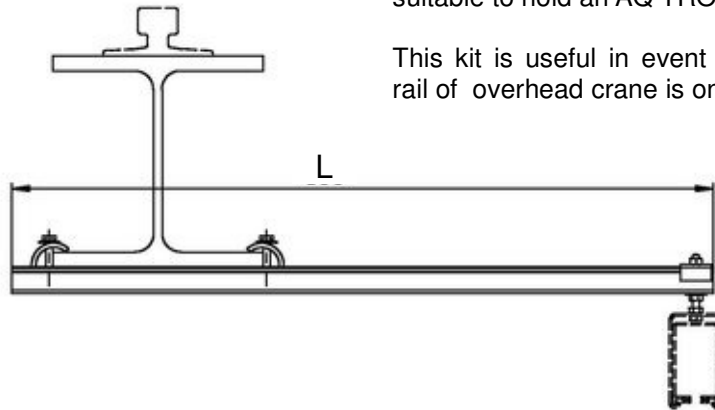
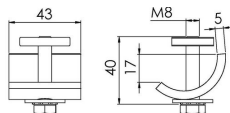
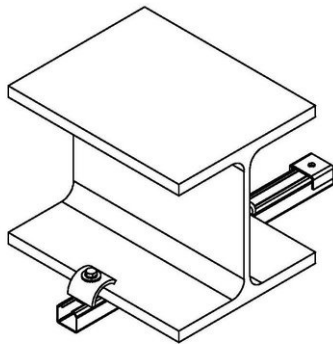
Via degli Imprenditori, 79
37067 Valeggio sul Mincio (Verona) - ITALY
Tel. +39 045 7952209 - Fax +39 045 7952174

www.pizzamigliosrl.com
info@pizzamigliosrl.com

Indirizzo PEC: pizzamigliosrl@legalmail.it

CF P.IVA-Reg.Imp.di VR 03165700232 - REA 314197 - Cap. soc. Euro 40.000,00 i.v.
VAT number IT 03165700232 - Share capital Euro 40.000,00 f.p.

SUPPORTING BRACKET for TROLLEY AQ lines



By using one piece of c-rail Mignon series and two bent stirrups is possible to create supporting brackets suitable to hold an AQ TROLLEY line.

This kit is useful in event the sliding rail of overhead crane is on a beam

SUPPORTING BRACKET FOR TROLLEY AQ

Item	Description	Mass [kg]	Price
AQMENS350	Supporting bracket for Trolley AQ length L=350mm with two bent stirrups and one platelet – carrying capacity 35kg	0,71	€
AQMENS450	Supporting bracket for Trolley AQ length L=450mm with two bent stirrups and one platelet – carrying capacity 30kg	0,88	€
AQMENS550	Supporting bracket for Trolley AQ length L=550mm with two bent stirrups and one platelet – carrying capacity 25kg	0,94	€
AQMENS650	Supporting bracket for Trolley AQ length L=650mm with two bent stirrups and one platelet – carrying capacity 20kg	1,06	€
AQMENS800	Supporting bracket for Trolley AQ length L=800mm with two bent stirrups and one platelet – carrying capacity 15kg	1,24	€

Each supporting bracket kit contains:
n.1 piece of c-rail sized at the length
n.2 bent stirrups
n.1 strengthening platelet

