



MANUFACTURING COMPONENTS FOR
CRANES AND LIFTING EQUIPMENT

COSTRUZIONE COMPONENTI
PER APPARECCHI DI SOLLEVAMENTO



PIZZAMIGLIO SRL

Sede legale, amministrativa e attività produttive:
Registered office, head office and operating base:

Via degli Imprenditori, 79
37067 Valeggio sul Mincio (Verona) - ITALY
Tel. +39 045 7952209 - Fax +39 045 7952174

www.pizzamigliosrl.com
info@pizzamigliosrl.com
Indirizzo PEC: pizzamigliosrl@legalmail.it

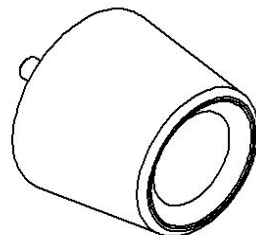
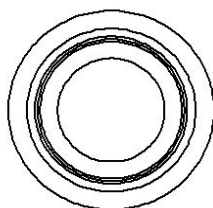
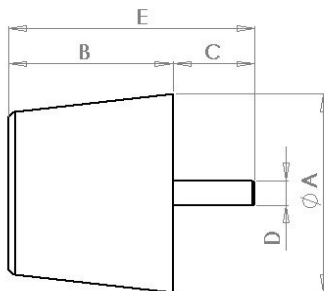
UNI EN ISO 9001:2008 - Reg. No: 9190PZM1
Progettazione e realizzazione di componenti per apparecchi di sollevamento
Design and manufacturing of components for lifting equipment

CF P.IVA-Reg.Imp.di VR 03165700232 - REA 314197 - Cap. soc. Euro 40.000,00 i.v.
VAT number IT 03165700232 - Share capital Euro 40.000,00 f.p.

RUBBER BUFFERS

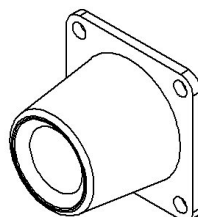
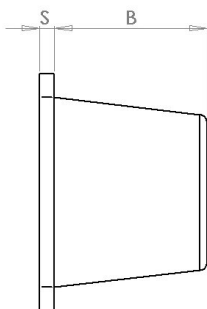
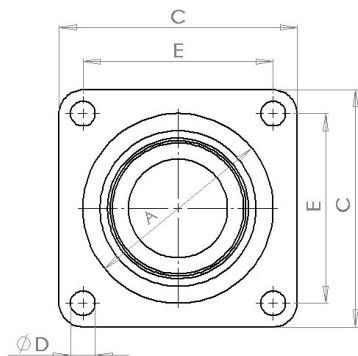
FULL BODY

Shock-absorbing rubber buffers, suitable for various needs, widely used in lifting equipment manufacturing. The high quality of materials guarantee an high damping power with small dimensions for rational use of the space. Structure without discharges: compare the weight!



Type	Stroke max [mm]	Force max [daN]	Energy max [J]	Dimensions [mm]					Weight [kg]	Material (elastomer)
				ØA	B	C	D	E		
OG4	18	850	50	40	35	25	M8	60	0,080	Forprene Sh60
OG6	24	2.200	200	60	50	30	M10	80	0,200	Forprene Sh60
OG8	34	3.300	360	80	65	35	M12	100	0,450	Forprene Sh60
OG10	42	6.400	860	100	80	35	M12	115	0,650	Forprene Sh60
OG12	53	10.000	1.800	120	105	40	M16	145	1,450	NBR+SBR Sh60
OG15	69	11.500	2.600	150	125	40	M16	165	2,550	NBR+SBR Sh60

Use and storage temperature: -20/+80°C – The manufacturer reserves the right to modify technical data without notice



Type	Stroke max [mm]	Force max [daN]	Energy max [J]	Dimensions [mm]						Weight [kg]	Material (elastomer)
				ØA	B	C	ØD	E	S		
OG4P	18	850	50	40	35	60	7	40	4	0,2	Forprene Sh60
OG6P	24	2.200	200	60	50	80	9	60	5	0,5	Forprene Sh60
OG8P	34	3.300	360	80	65	100	11	80	6	1,0	Forprene Sh60
OG10P	42	6.400	860	100	80	125	13	100	8	1,7	Forprene Sh60
OG12P	53	10.000	1.800	120	105	150	17	120	8	3,0	NBR+SBR Sh60
OG15P	69	11.500	2.600	150	125	200	17	150	10	5,8	NBR+SBR Sh60

Use and storage temperature: -20/+80°C – The manufacturer reserves the right to modify technical data without notice